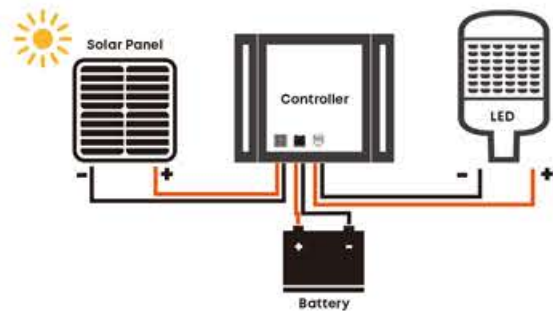


Installation Guide

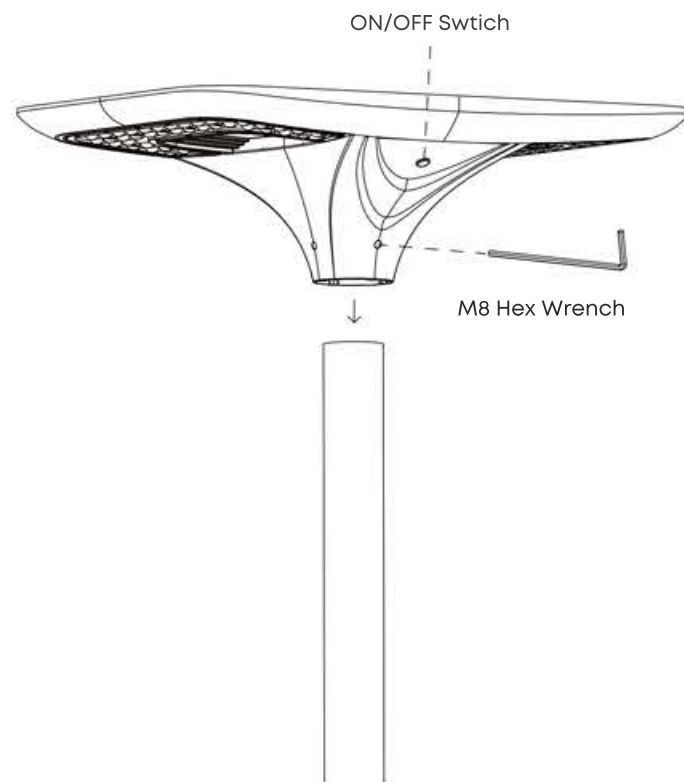
This procedure is designed as an installation aid. Skilled tradespeople that are familiar with general construction and electrical installation techniques should perform the installation. Licensed electricians should provide electrical installation connections. Installations and connections should be done in accordance with all national and local codes and permits. In no way is this document intended to construe warranty or fitness of use of the products described, nor is it intended to provide safety instruction for those installing the product.

- Working Way



The solar panel receives solar radiation energy and converts it into electricity, which is stored in the battery by the photovoltaic controller. At night, when the illumination gradually decreases to about 10LUX and the solar panel voltage is 5V, the charge and discharge controller detects this voltage value, and controls the battery to discharge the lamp cap to complete the process of daytime charging and evening discharge.

- Installation Procedure

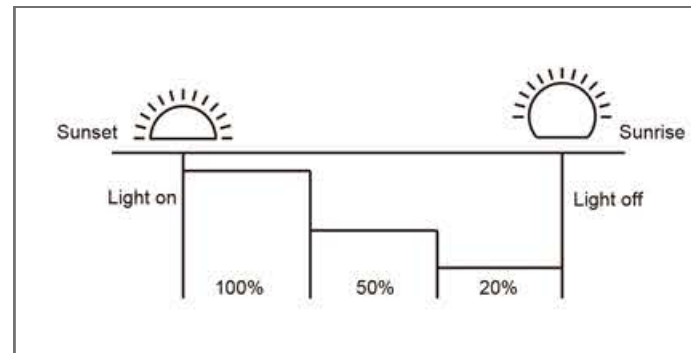


- Packing List

- Instruction Guide *1;
- Certificate *1;
- LED Fixture *1;
- M8 Hex Wrench *1;

- Operating Mode

- 1) 2H-100%, 2H-50%, 20% - dawn;
- 2) Customizable;



1. Open the package and check that there' s no damage on the package and the accessories are complete.
2. Open the power switch to test the charge and discharge function;
3. Loosen the screw on the bracket, and put the fixture on the lamp pole, fix the screw with an inner hexagon wrench.

*Note: This product is suitable for straight pole with diameter of 40-60mm and installation depth of 85mm.

- FAQ

1. How to activate the solar LED light?

After opening the package, turn on the power switch of the light (the button is in the state of power on when recessed), the fixture will be lighted up; If it is not, place the fixture under the sunlight for about 10 minutes, and then completely covered with the solar panel, the fixture will be lighted up.

2. How to test the charging and discharging function of solar LED light?

After turning on the power switch, completely cover the solar panel of the fixture or place it in a dark environment (no reflection), the light will be lighted up; Then place the fixture under the sunlight and the light will be turned off.

3. The fixture can not be lighted up since it is placed for a long time?

As the battery will consume power, the system will lose power completely. Leaving the battery for a long time may cause irreversible damage, so you need to charge it every three months if it is not in the use.

4. Shorter light time?

The shorter light time is due to low battery power, or low charging efficiencies, such as rainy days, solar panels covered by trees, and dust; Lithium-ion battery losses will also lead to less energy storage.

⚡ WARNING

- The use environment of the product should not be blocked to affect solar panel power generation;
- The product must be charged once every 3 months when it is idle;
- Please turn on the power switch of the fixture before use, and test whether it is functional before installation;
- Do not disassemble without the guidance of professionals or professionals.
- Review the entire Installation Guide.
- Inspect this properly packaged product for any damage that may have occurred during transit.
- Verify product application complies with manufacturer design recommendations.
- Verify the availability of necessary tools and incidental material.
- Verify applicable code requirements. Field assembly and installation are subject to acceptance by local inspection authority.
- Appropriate safety equipment to be determined by end user, per applicable safety standards and precautions.