

# Installation Guide

This procedure is designed as an installation aid. Skilled tradespeople that are familiar with general construction and electrical installation techniques should perform the installation. Licensed electricians should provide electrical installation connections. Installations and connections should be done in accordance with all national and local codes and permits. In no way is this document intended to construe warranty or fitness of use of the products described, nor is it intended to provide safety instruction for those installing the product.

## ⚡ WARNING

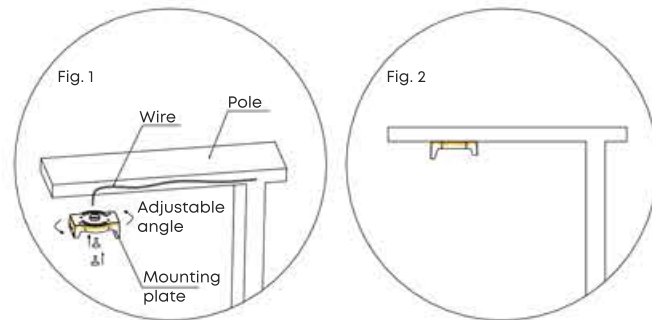
Before proceeding with installation or service maintenance of this product.

- Disconnect power to reduce electrical shock risk.
- Review the entire Installation Guide.
- Inspect this properly packaged product for any damage that may have occurred during transit.
- Verify product application complies with manufacturer design recommendations.
- Verify the availability of necessary tools and incidental material.
- Verify applicable code requirements. Field assembly and installation are subject to acceptance by local inspection authority.
- Appropriate safety equipment to be determined by end user, per applicable safety standards and precautions.

### Type-A Installation

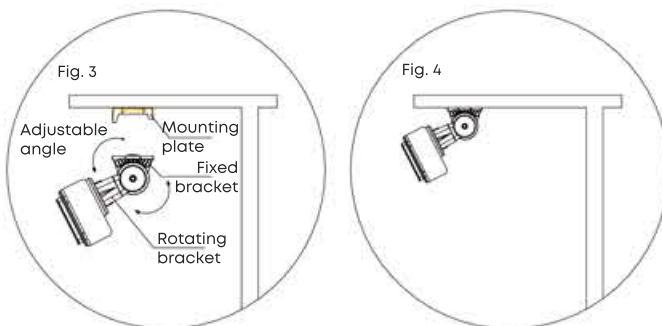
1. The first step:

- 1) Connect the field wire with the terminal wire of the mounting plate.
- 2) Adjust the horizontal selection angle between the mounting plate and the pole.
- 3) Fix the mounting plate and pole with screws, as shown in Fig. 1 and 2.



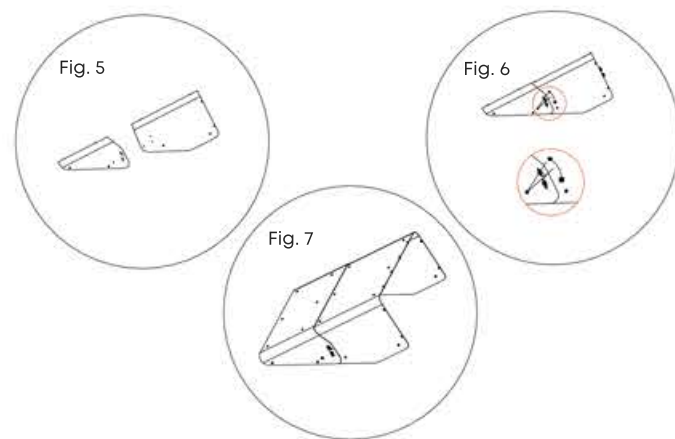
2. The second step:

- 1) Adjust the angle between the rotating ratchet and the fixed bracket of the fixture cap, and fix it with screws, as shown in Fig. 3.
- 2) Connect the terminal of the fixed bracket with the terminal of the mounting plate.
- 3) Fix the fixed bracket of the fixture and the light post mounting plate with screws, as shown in Fig. 3 and 4.



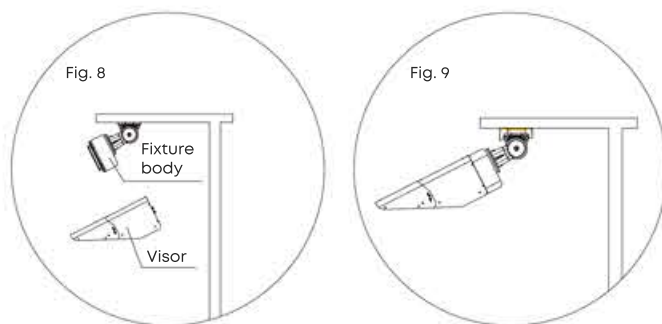
3. The third step:

- 1) Fix the upper and lower visor together with screws, and adjust the light visor angle according to needs, as shown in Fig. 5, 6 & 7.



4. The fourth step:

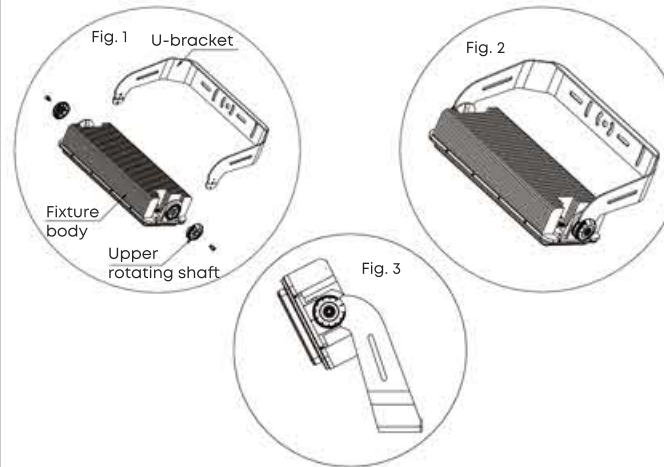
- 1) Install the visor and fixture body, as shown in Fig. 8 & 9.



### Type-U Installation

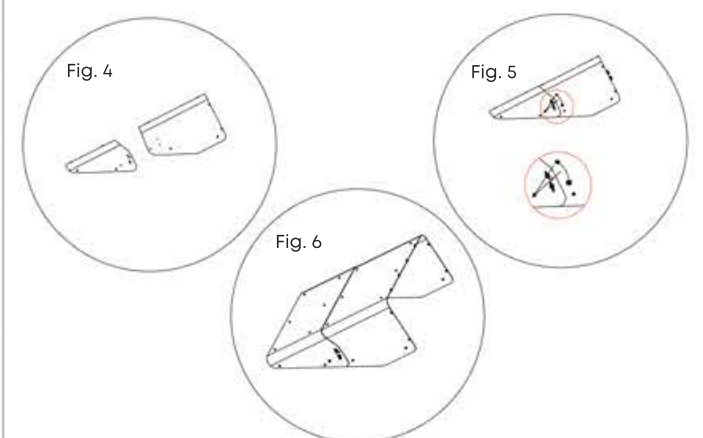
1. The first step:

- 1) Install the fixture body with U bracket and upper rotating shaft with screws, adjust the rotation angle of U bracket, and fix them with screws, as shown in Fig. 1, 2 and 3.



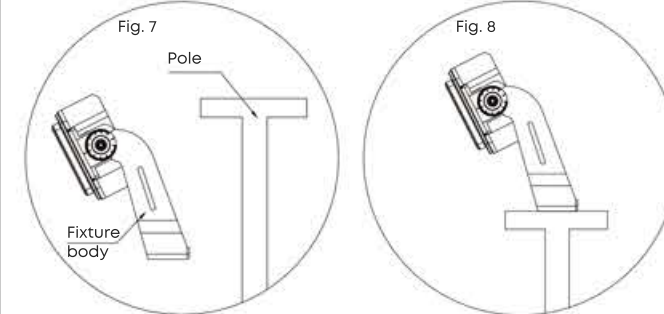
2. The second step:

- 1) Fix the upper and lower visor together with screws, and adjust the light visor angle according to needs, as shown in Fig. 4, 5 & 6.



3. The third step:

- 1) Fix the U bracket of the fixture body on the pole, and connect the power line of the body with the field wire, as shown in Fig. 7 & 8.



4. The fourth step:

- 1) Install the visor and fixture body as shown in Fig. 9, 10 & 11.

