

Parameter Table

Electrical Data						
Model	AOK-315WiNS	AOK-380WiNS	AOK-460WiNS	AOK-580WiNS	AOK-720WiNS	
Power(W)	315	380	460	580	720	
Input voltage	100-277VAC, 50/60Hz, 347/480VAC optional					
THD	< 20%					
PF	> 0.90					
Control Option	DALI, 1-10V/PWM/Timer dimming, Nema, Zhaga/Presence detection sensor.					
UGR	<19					
Operating temperature	-40°C to 50°C (-40 °F to 122 °F)					
Driver brand	Meanwell/Inventronics					
Surge Protection	10kV/20kV optional					
Photometric Data						
Efficacy(LM/W) (CRI 70Ra, 5000K)	15D	144.4	142.5	143.5	141.6	139.5
	30D	153.0	149.5	151.0	148.5	146.0
	60D	152.4	148.4	153.0	150.0	147.9
Luminous flux (LM)	15D	45500	54150	66000	82100	100450
	30D	48200	56800	69450	86130	105100
	60D	48000	56400	70400	87000	106500
ULOR	= 0%, @ Luminaire inclination 0°					
CCT	3000K, 4000K, 5000K, 5700K, 6500K					
CRI	Ra 70, Ra80, Ra90					
Beam angle	15D/30D/60D					
LED Manufacturer	LUMILEDS					
LED model	Lumileds 5050					
Working current of single LED (Standard product)	15D	75mA	90mA	66mA	85mA	105mA
	30D	47mA	56mA	39mA	50mA	63mA
	60D	47mA	56mA	39mA	50mA	63mA
Lens	Polycarbonate, modular design					
Lifespan	L90B10 >52000 h, @Ta 25°C					
Mechanical Data						
IP/IK	IP66/IK10, according to standard EN 60529 and EN 62262					
Vibration resistance	3G, conform to standard IEC 68-2-6.					
SCx(EPA, Fixture body)	Front: 0.204386m ² (2.2ft ²)			Front: 0.285212m ² (3.07ft ²)		
	Side: 0.115943m ² (1.248ft ²)			Side: 0.132665m ² (1.428ft ²)		
Housing/Materials	Heavy-duty die-cast aluminum (EN AC-46100)					
Surface treatment	Anti-UV thermosetting polyester/80 micron epoxy primer, Anti-UV thermosetting polyester (for extremely corrosive environments).					
Painting	Black, Silver gray, Custom request					
Cable	Pre-wired with a 30 cm cable (Other lengths on request)					
Mounting	TYPE A/TYEP B/TYPE C/TYPE D					
Others						
Warranty	5 years (Warranty extension up to 10 years on request)					
Certification	UL/cUL/DLC/SAA/CE/FCC/ENEC/TUV					
Product size	TYPE-A	φ468*343mm			φ550*336mm	
	TYPE-B	φ468*559*407mm			φ550*602*315mm	
Net weight	TYPE-A	10.3kg	10.3kg	16.08kg	16.08kg	16.08kg
	TYPE-B	16.5kg	16.5kg	23.2kg	23.2kg	23.2kg
TYPE-A	540*540*415mm			640*640*435mm		
TYPE-B	550*555*410mm			640*640*435mm		
TYPE-A	13.27kg	13.27kg	19.68kg	19.68kg	19.68kg	19.68kg
TYPE-B	19.5kg	19.5kg	26.8kg	26.8kg	26.8kg	26.8kg
Application field	Suitable for stadium, sports field, port, railway station					

Construction

- Heavy duty die cast aluminum housing.
- Light engine is thermally isolated from the driver compartment.
- UV Stabilized polyester powder paint finish rated for 1000 hour salt spray.
- Easy maintenance access to electrical components.
- Rugged, weather-tight design and 3G Vibration ratings ensure durability even in harsh environments.

Optics

- Three available light distributions: 15°, 30°, 60°.
- High impact UV stabilized polycarbonate outer lens protects LEDs and allows for cleaning and debris removal.

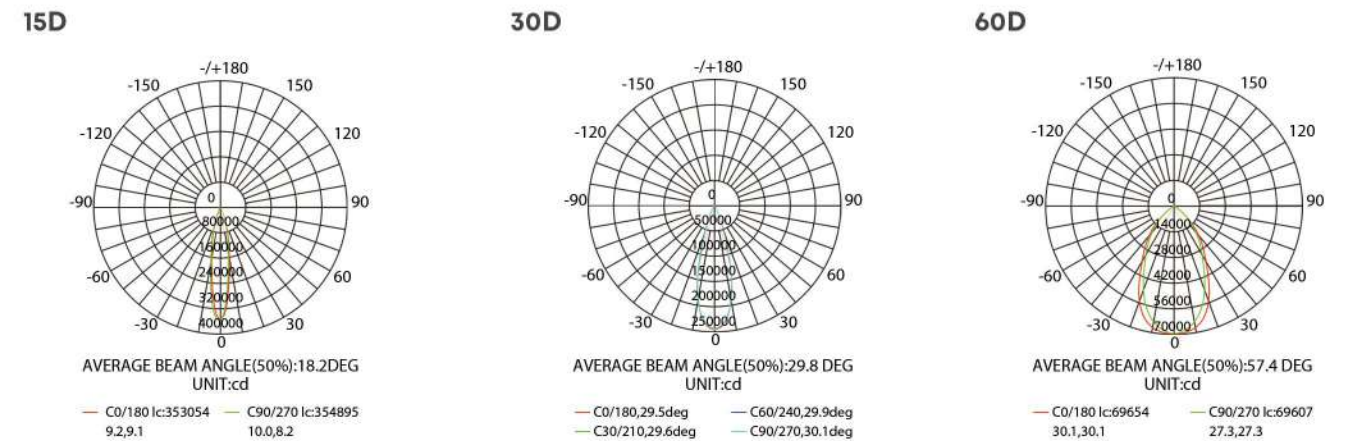
Electrical

- 0-10 Volt Dimming Driver
- Dimming Drivers available for use with control devices (provided by others). Dimming leads contained in driver housing (integrated model).
- Voltage option: 100-277VAC, 50/60HZ standard; 347V-480V, 50/60HZ optional.
- Ambient Operating Temperature: -40°C to 50°C (-40°F to 122°F); INS-B: -40°C to 40°C(-40°F to 104°F).
- Drivers have 90% power factor and less than 20% THD, SPD optional.

Ordering Information

AOK	WATTS	VOLTAGE	LED CHIPS	TYPE OF SENSOR	CCT&CRI	DISTRIBUTION	MOUNT	HOUSING
315W iNS	NV=100-277V	L5=Lumileds5050	00=Without Sensor	3070=3000K 70CRI	15d=15°	A=Top Fixed	BK=Black	
380W iNS	HV=347/480V	V2=Lumileds V2	DV=Dimmable	3080=3000K 80CRI	30d=30°	B=With driver box	SL=Silver Gray	
460W iNS			PH=Photocell	4070=4000K 70CRI	60d=60°	C=Split mode		
580W iNS				4080=4000K 80CRI		D=Yoke Mount		
720W iNS				5070=5000K 70CRI				
				5080=5000K 80CRI				
				5770=5700K 70CRI				
				5780=5700K 80CRI				
								Accessories
								SPD 10kV, 20kV optional
								Light visor
								Laser sight

Photometrics

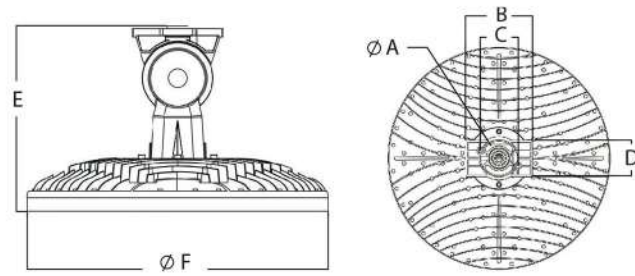


INS Series Specification Sheet

*Due to the constant improvements in product development, individual parameters might change. Please refer to our sales or R&D team for most up-to-date content as specifications are subject to change without notice.

Dimensions

INS-A



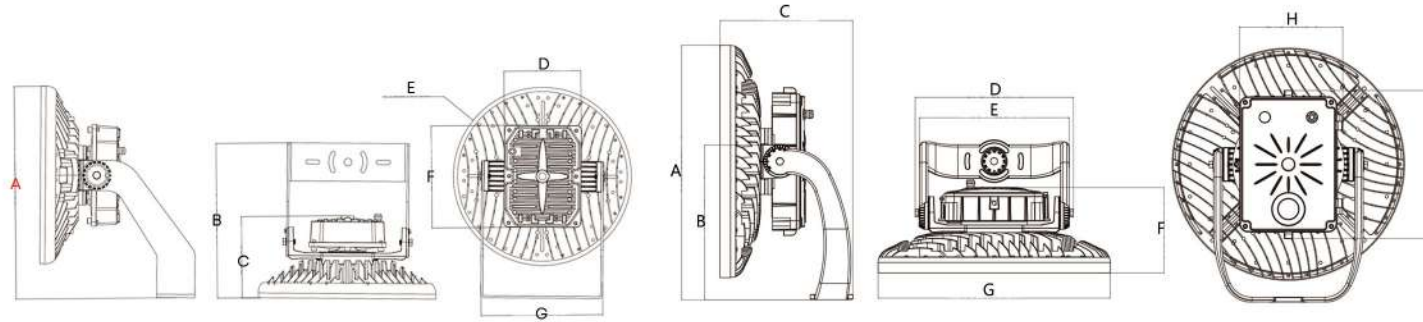
315W-380W

A	B	C
7.3cm(2.9")	16.5cm(6.5")	9.3cm(3.6")
D	E	F
9.0cm(3.5")	34.3cm(13.4")	46.8cm(18.3")

460W-720W

A	B	C
7.3cm(2.9")	7.3cm(2.9")	9.3cm(3.6")
D	E	F
9.0cm(3.5")	33.6cm(13.2")	55.0cm(21.6")

INS-B



315W-380W

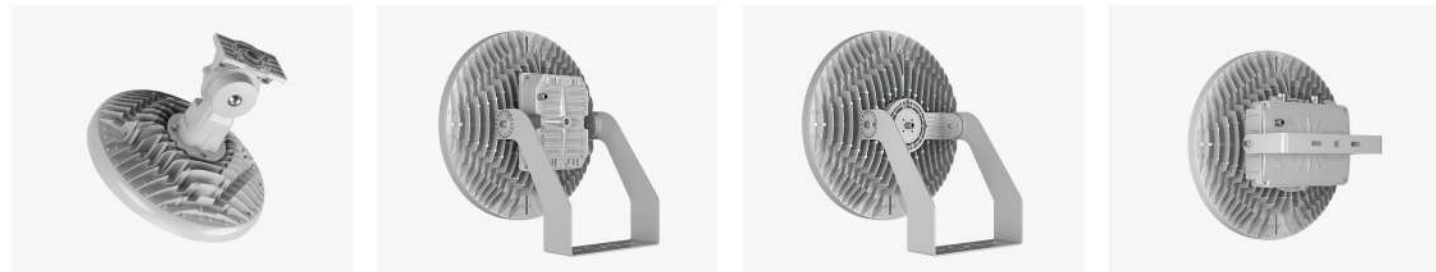
A	B	C	D
55.96cm(22.0")	40.68cm(16.0")	21.4cm(8.4")	20.3cm(8")
E	F	G	
46.8cm(18.4")	26.8cm(10.5")	32.01cm(12.6")	

460W-720W

A	B	C	D	E
60.2cm(23.7")	36.6cm(14.4")	31.48cm(12.4")	37.5cm(14.7")	35.4cm(13.9")
F	G	H	I	
20.25cm(8.0")	55.0cm(16")	24.5cm(9.6")	35.1cm(13.8")	

Accessories

Bracket Options



INS-A
Top Fixed Installation

INS-B
Under Mount Yoke (with driver box)

INS-C
Under Mount Yoke (split mode)

INS-D
Yoke Mount



Photocell



Steel rope



Laser aiming



Visor



Timing control



Zhaga

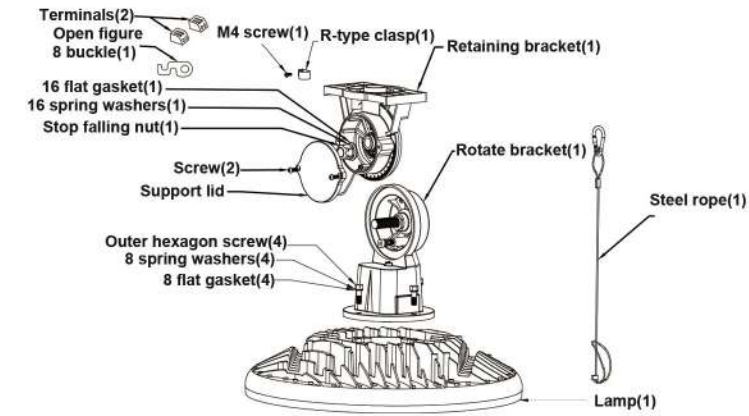


DALI CONTROL

*As the products are upgraded, the accessories may differ from those described in the pictures. Please consult with our sales team for updated details and order separately.

Recommended Installation

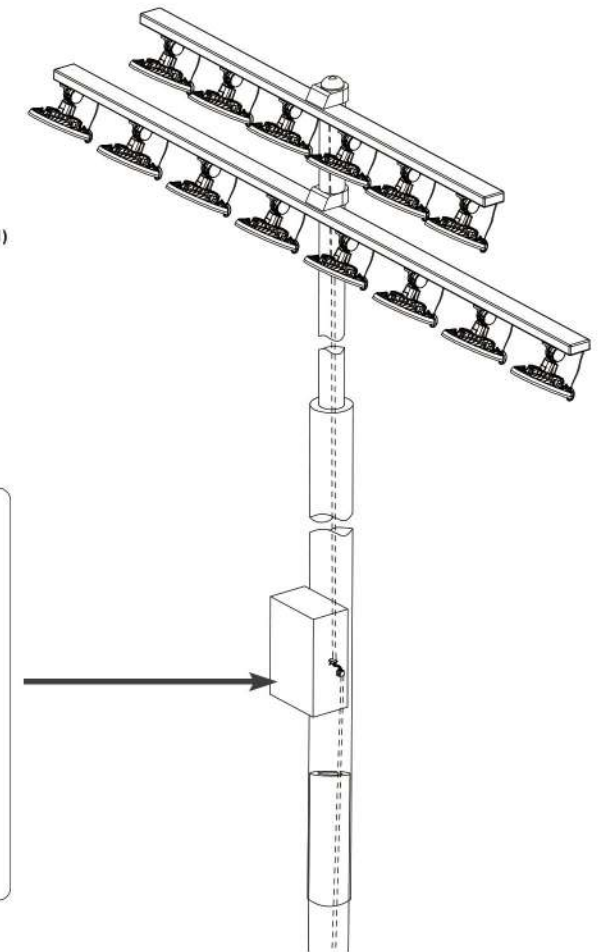
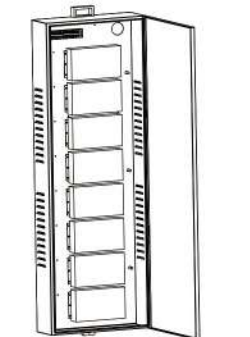
INS-A



Installed schematic diagram:

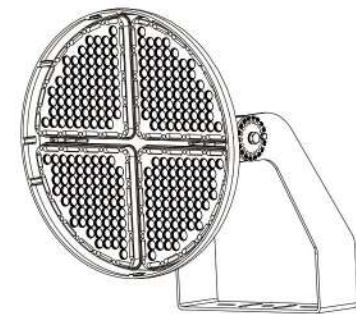


Schematic diagram of power chamber:

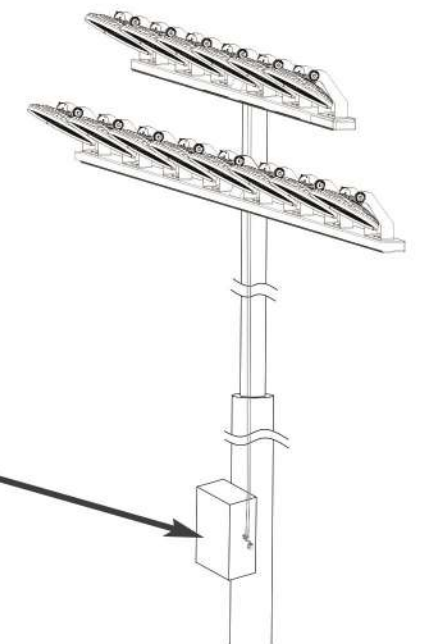
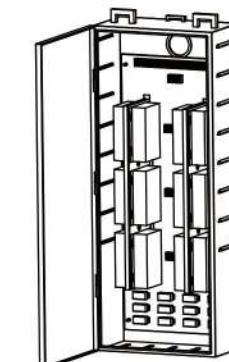


INS-B

Installed schematic diagram:



Schematic diagram of power chamber:



INS Series Specification Sheet

*Due to the constant improvements in product development, individual parameters might change. Please refer to our sales or R&D team for most up-to-date content as specifications are subject to change without notice.

wally@oakledlight.com
+1 626-986-4050 (US)
+86 755 2357 9148 (CN)

©2021 AOK LED LIGHT CO., LTD. All Right Reserved.

